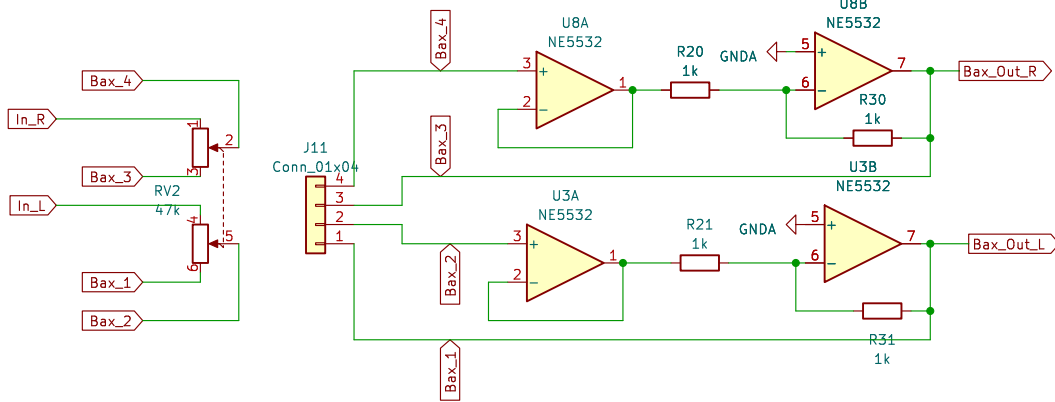
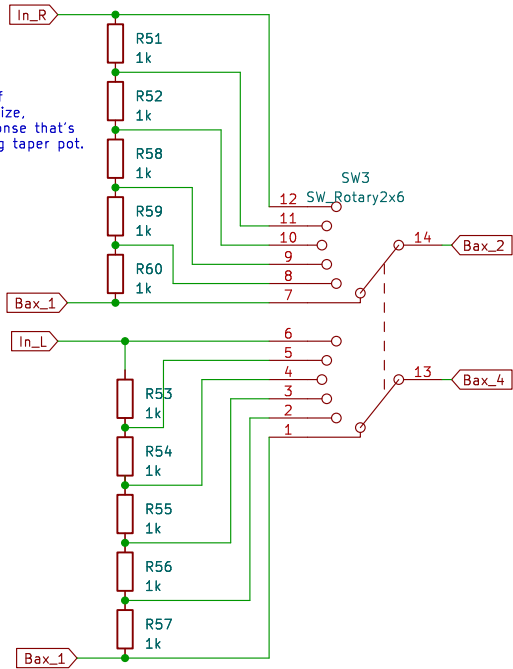


Baxendall Volume Control



RV2 can be replaced by a set of resistors increasing linearly in size, but will give a logarithmic response that's more accurate than a typical log taper pot.



Sheet: /Baxendall Volume/
File: baxendall.kicad_sch

Title:

Size: A4

Date:

KiCad E.D.A. kicad 7.0.2

Rev:

Id: 6/7